

System Specifications

Features

This LCD TV was designed with the user in mind. Here are just a few of its many features:

LCD Panel

- Max. resolution: 1366 x 768
- 16 CCFTs Backlight system
- Display area: 31.5 inches diagonal
- Display color: 16.7 M colors
- Input Signal: 1-ch LVDS
- Contrast ratio: 800:1 (Typical)
- Brightness: 500 Cd/m² (Typical)
- Response Time: 24 ms
- Viewing angle: 85° (L) / 85° (R), 85° (U) / 85° (D)

I/O functions

- 21 pin Euro-SCART (RGB) for Video, S-Video, R.G.B. and Audio
- 21 pin Euro-SCART (YUV / RGB) for Video, S-Video, YPbPr, YCbCr, RGB and Audio
- RCA jack (YUV and CVBS) for YPbPr, YCbCr, Video and Audio
- S-Din for S-Video
- 15 pin D-Sub for VGA
- 24 pin DVI / HDCP for DVI-D
- DIN45325 (IEC169-2) Terminal for TV / CATV input
- 3.5 mm Earphone jack for Audio Line input
- 3.5 mm Earphone jack for Audio Line output

Video Functions

- Support PAL / NTSC / SECAM video format
- Support 480i/576i, 480p/576p, 1080i and 720p format
- Build in Teletext functions
- Build in Dynamic adaptive smoothing filter
- Build in Dynamic temporal frame-filtering Noise Reduction

- Build in Dynamic motion and edge adaptive De-interlacing
- Film mode 3:2 & 2:2 pull down
- Screen display model 16:9 / 4:3 / panorama / zoom / PIP / POP

Mechanical

- Swivel: 40° (R: 20°, L: 20°)
- VESA mounting holes

Compatibility

Multi-Sound system

- NICAM
- FM Stereo (A2)

Power Source

- Input voltage: 90 ~ 264 V, 47 ~ 63 Hz
- Input current: 2.3 A
- Power consumption: 210 Watts
- Stand-by: 5 Watts Max.

Remote controllers

- Multi-function remote controller

Speaker

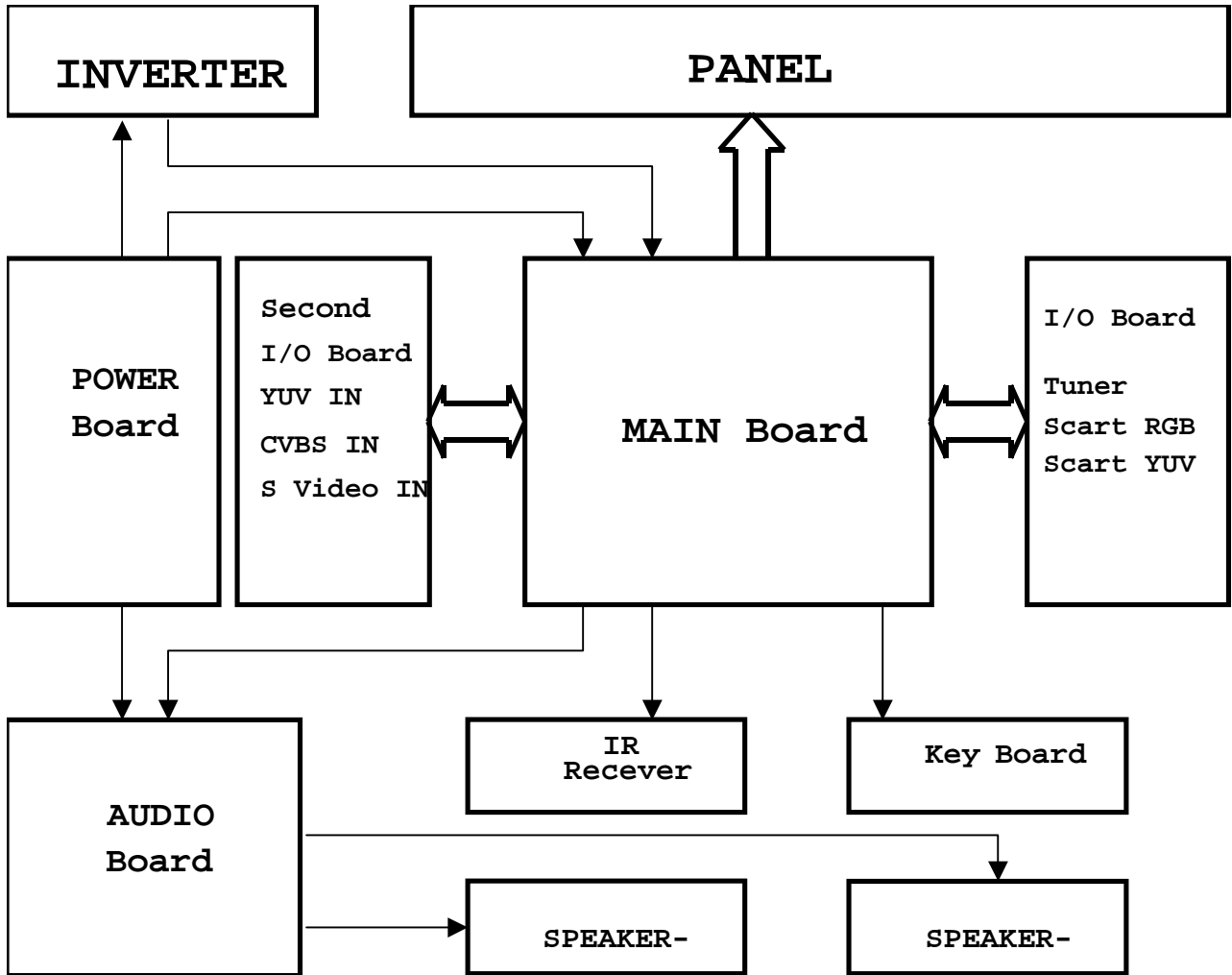
- Internal speaker: 10 W x 2 stereo, volume adjustable

Others

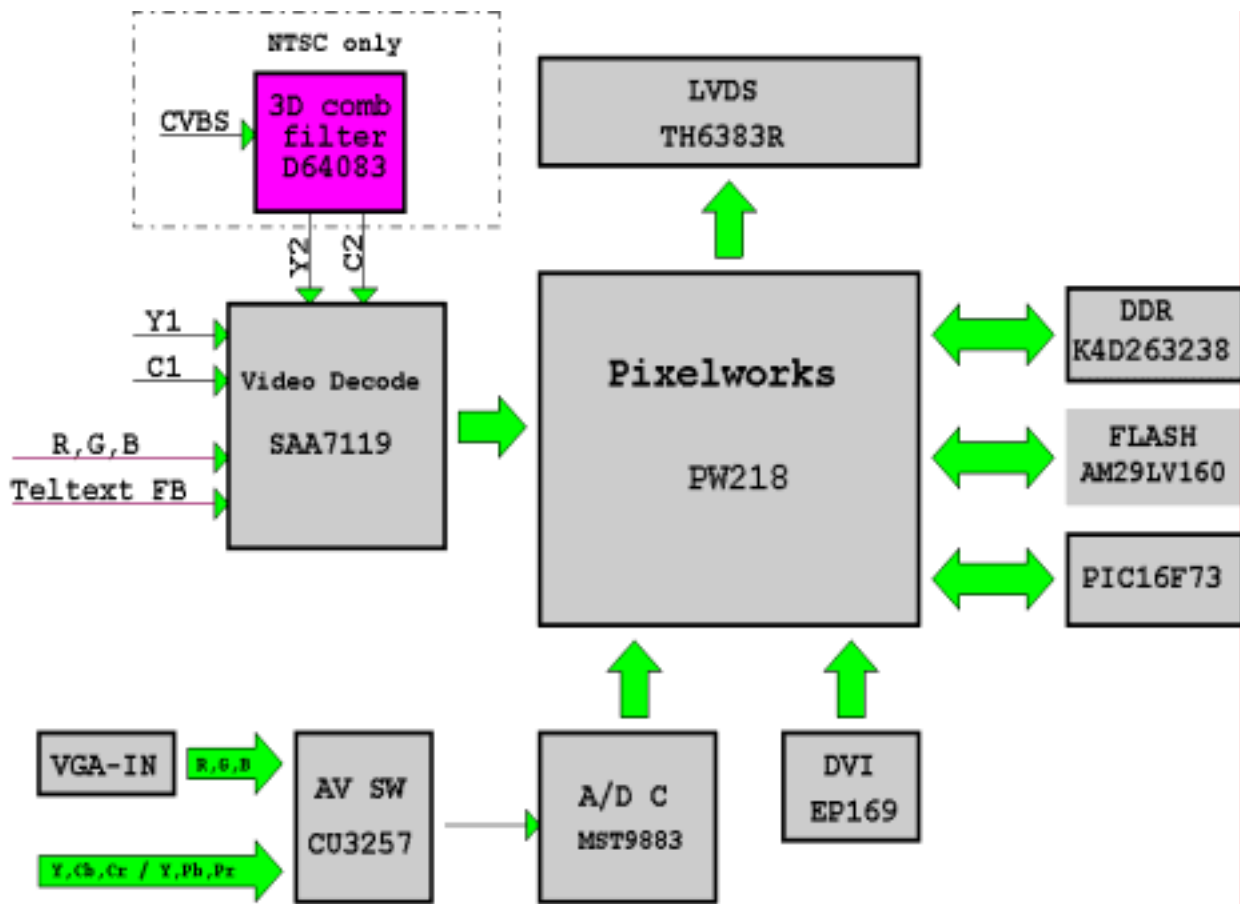
- On screen display adjustment function
ISP (In System Programming) function available for revising driver easily

Block Diagram

System Block & Wiring Diagram



LCD Main Board Block Diagram

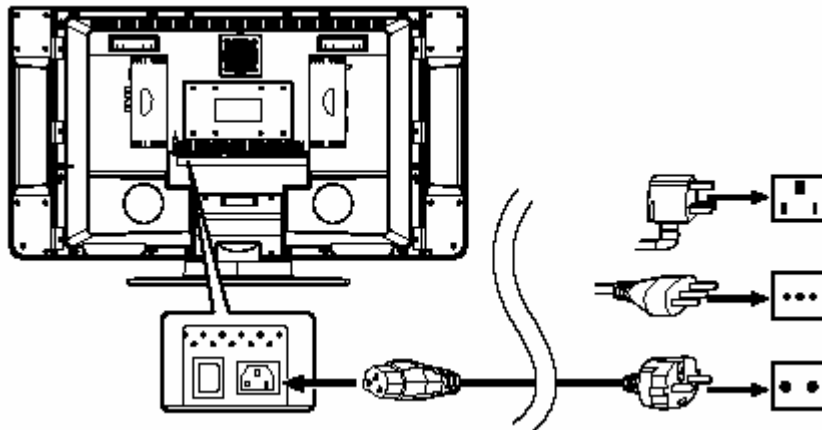


Main Board Block Diagram

Basic Connection

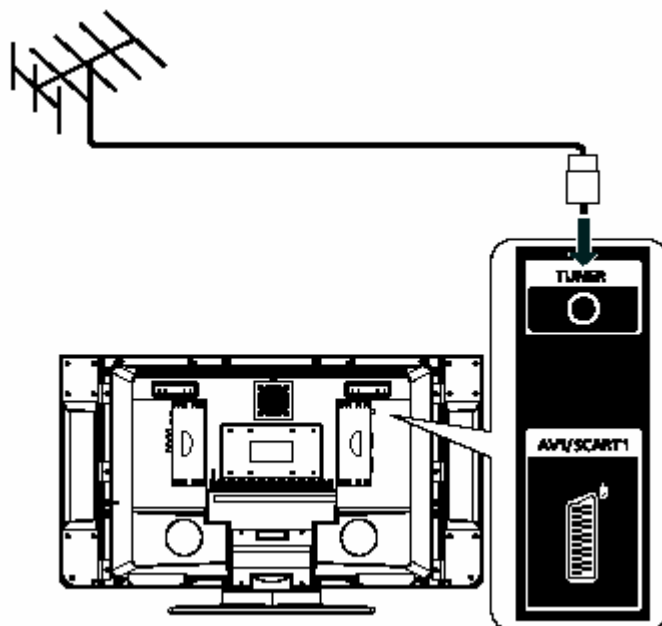
Connecting the power cord

1. Plug the AC cord into the AC input on the back of the set.
2. Connect the male plug to the wall outlet as shown.



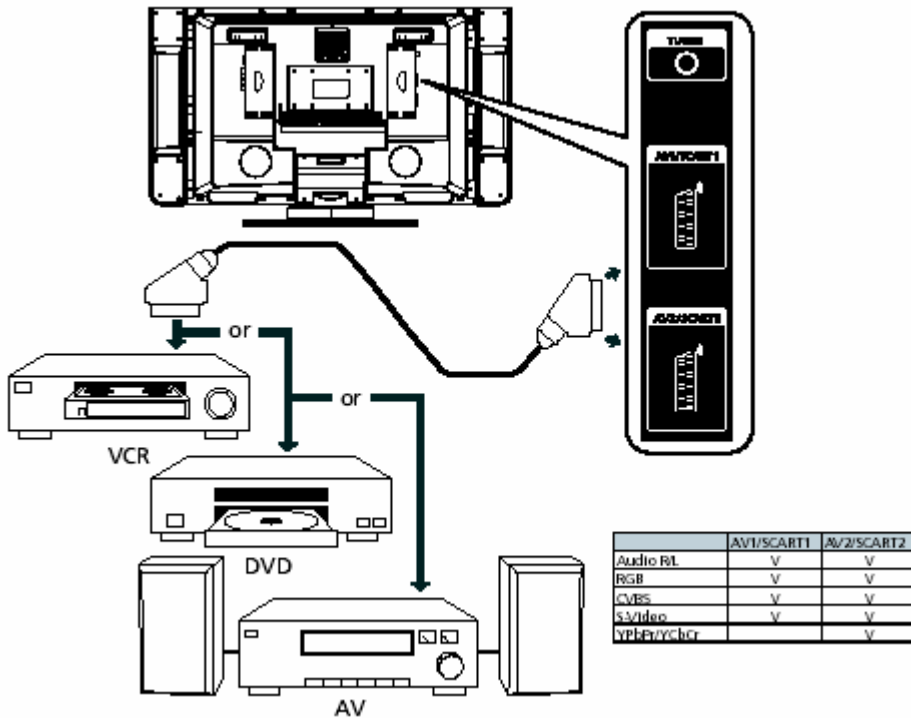
Connecting an antenna

Plug the outdoor antenna cable lead-into the antenna terminal on the back of the TV set as shown.



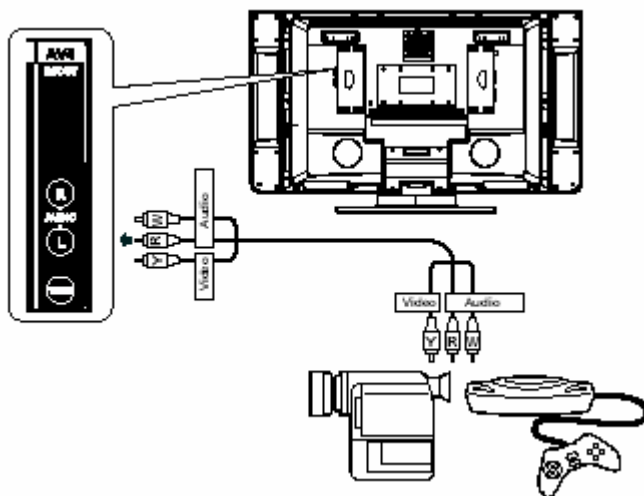
Connecting DVD/VCR/AV equipment

Connect the SCART cable to the SCART port as shown below.



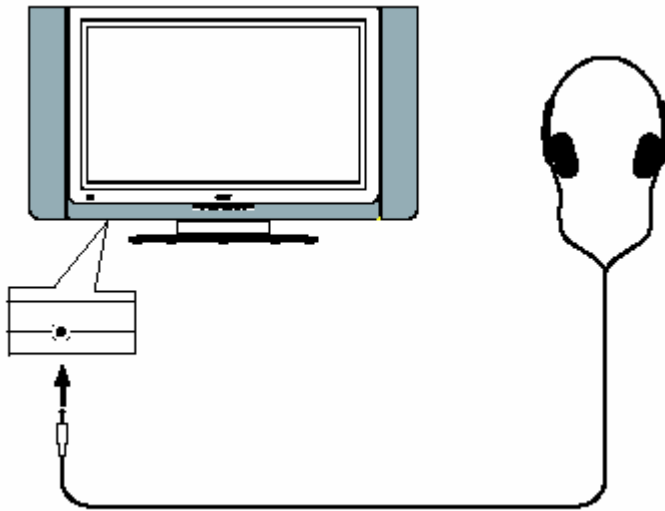
Connecting a camera, camcorder or video game

Connect your camera or camcorder to the Video/Audio ports on the bottom of the TV set as shown below.



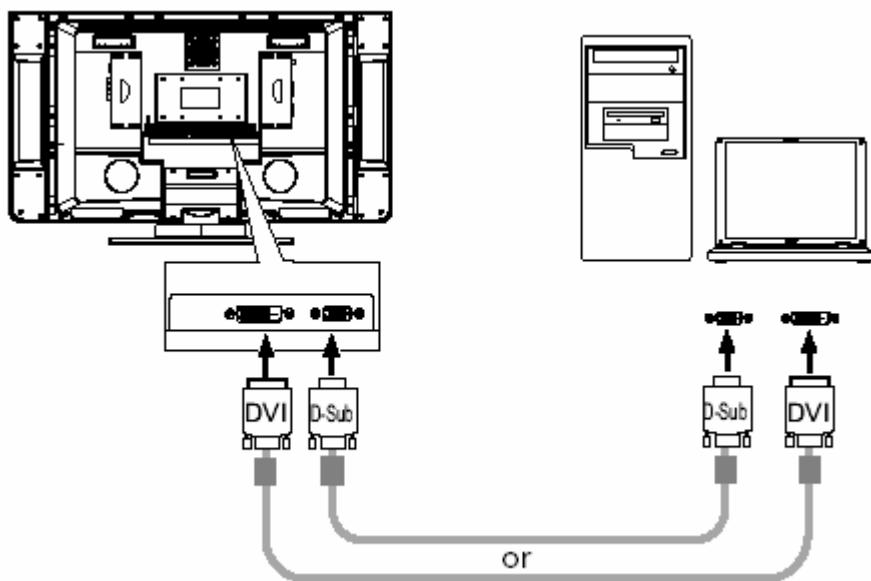
Connecting headphones

Connect your headphones to the headphone input port on the bottom of the TV set as shown below.



Connecting a PC or Notebook

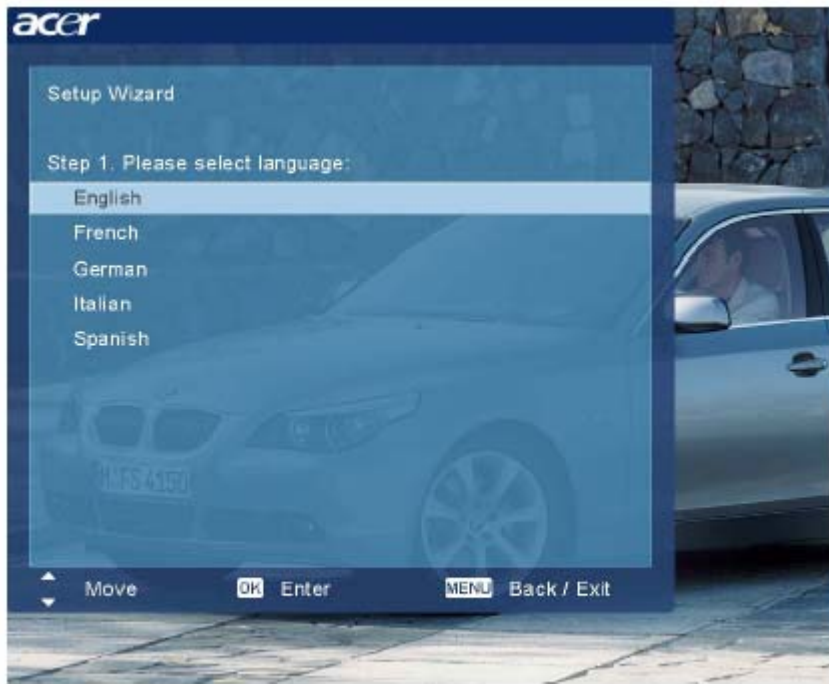
Connect your PC or notebook to the D-Sub or DVI ports on the bottom of the TV set as shown below.



OSD(On Screen Display)

Scanning the channels

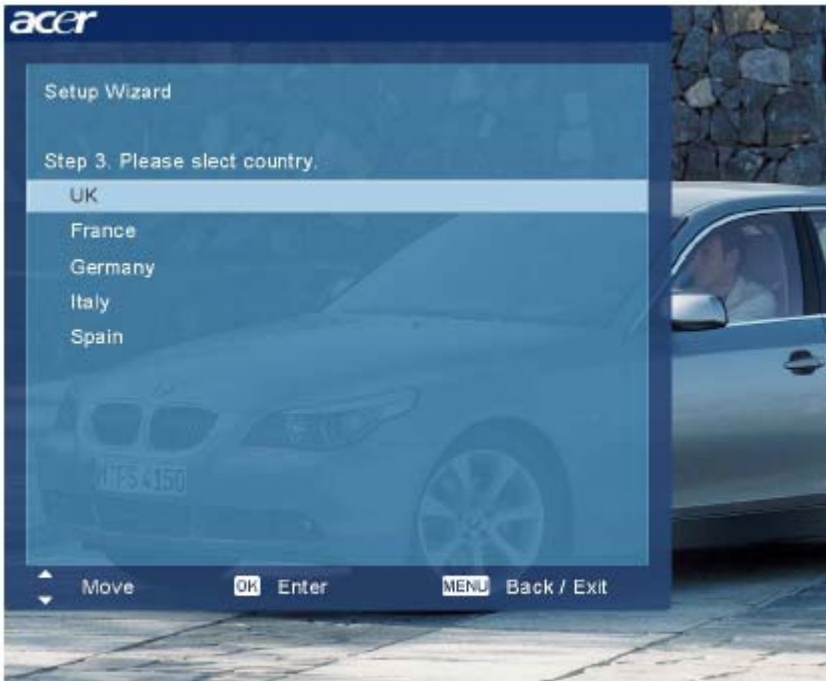
First step: Ask user to select the language of OSD.



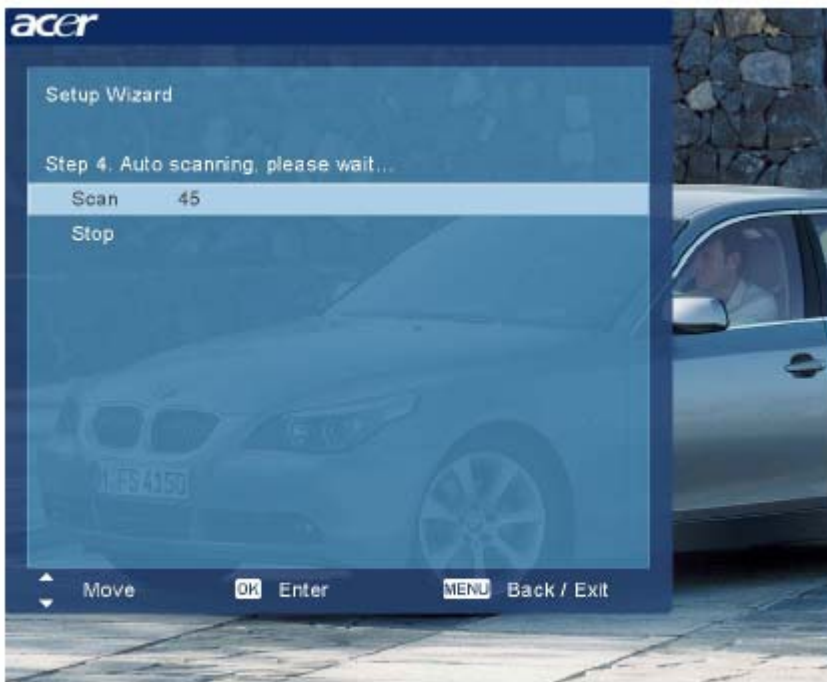
Second step: Ask user to connect the RF cable to the TV.



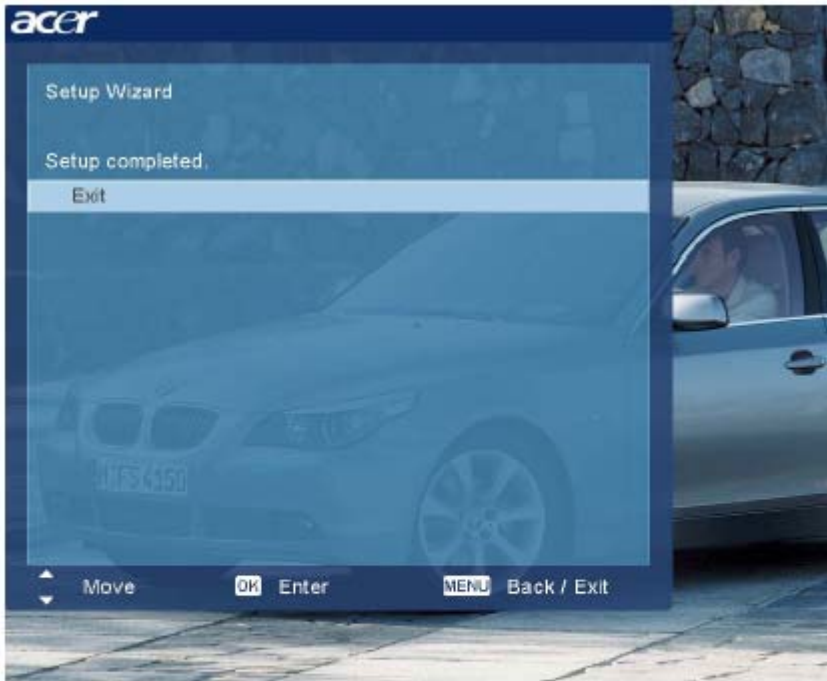
Third step: Ask user to select the country.



Fourth step: System start to scan all available channels.

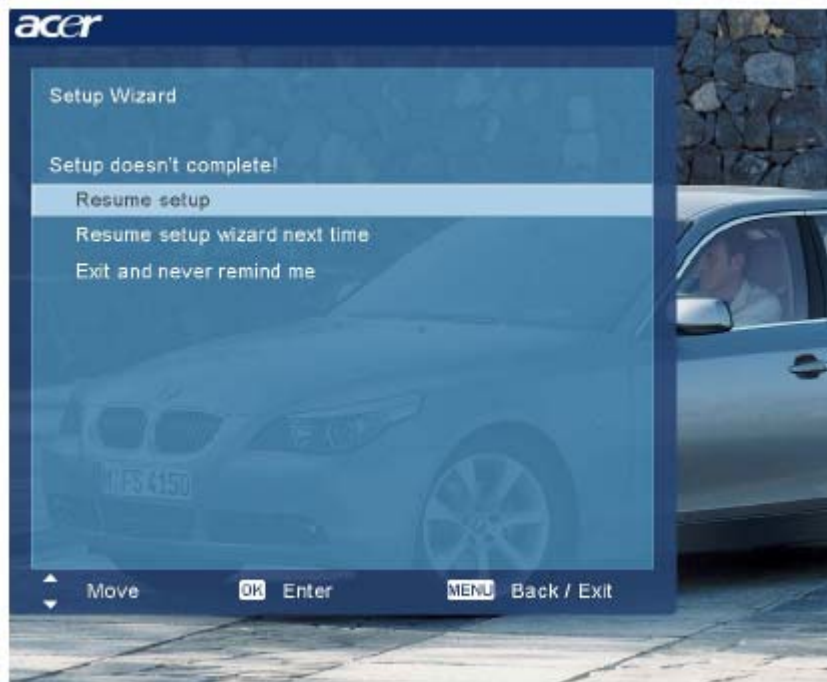


Fifth step: Tell user setup is complete and ask user to leave.



If user wants to leave the setup, system will ask user:

- 1: Resume setup
- 2: Resume setup next time
- 3: Exit and Never Remind



Advanced Features

PIP/PBP/POP

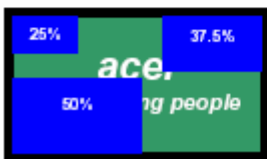
PIP (Picture in Picture)



- Press **PIP/POP** key once to display picture in picture as left side.
- Press **Activate** Key to toggle focus on sub screen and press TV/ AV/ COMPONENT/ PC or channel selection to change the content of sub screen.
- Press **swap** to change the content between primary and sub screen.



When in PIP mode:
Press **position** key to select the location of sub picture sequent from Left-up → Right-up → Right-Down → Left-Down then go back to Left-up.



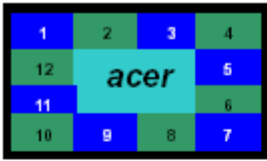
When in PIP mode:
Press **size** key to change sub screen size sequent from 25% → 37.5% → 50% then go back to 25%.
Location point based on center of sub screen fixed at 1/4 length and width of display.

PBP (Picture by Picture)



Press **PIP/POP** Key twice to display picture by picture as left side.
Press **Activate** to toggle focus screen and press TV/ AV/ COMPONENT/ PC or channel selection to change the content of sub screen.

POP (Picture on Picture)



- Press **Size/Mode** Key to display this picture on picture mode as left side.
 - Press **Activate** Key to toggle focus on sub screen and press TV/ AV/ COMPONENT/ PC or channel selection to change the content of sub screen.
 - Press **swap** to change the content between primary and sub screen.
-



- Press **Size/Mode** Key to display this picture on picture mode as left side.
- Press **Activate** Key to toggle focus on sub screen and press TV/ AV/ COMPONENT/ PC or channel selection to change the content of sub screen.
- Press **swap** to change the content between primary and sub screen.

Acer Emowering Feature

Favorite Channel

Operation	Description
"e" press less than 1 second	Toggle switch TV program sequent according to favorite list. There are five slots in favorite list. Each slot stores one TV program.
"e" more than 2 seconds	a. When current program is not stored in favorite list, press "e" key more than 2 seconds stores the TV program information at the last of favorite list. If there is no empty slot in the favorite list, 1 st program will be wiped out and the new TV program is added at last of favorite list. Simply says, it's first in first out (FIFO). b. When current program is stored in favorite list, press "e" key more than 2 seconds will remove the program from the favorite list.

Scenario Mode

Operation	Description
"e" key	Toggle switch scenario mode sequent. Standard → Movie → Sport → Concert → Game → User _____

No matter OSD menu is on or off, user can directly switch the scenario mode. If OSD menu is on, switching scenario mode doesn't cause the menu off and user can see the related parameters directly on the menu.

Display Electrica

I and Functional Specifications

Input and Output Signals

This LCD TV shall have the ability to operate under following range with stable green color of LED indicated. Any signal outside of the limits (any combination) shall not cause any damage to the unit or driving source. The range of operation is:

- CVBS and Y/C
 - PAL (4.43 M , 50 Hz) B、 G、 D、 K、 H、 I, PAL (4.43 M , 60 Hz)
 - SECAM D、 K 、 L
 - NTSC (3.58 M), NTSC (4.43 M), Japan (50 Hz)
- TV Systems
 - PAL and SECAM system Receivable
 - Full frequency range From channel E2 (48.25 MHz) to channel E69 (855.25 MHz)
- YUV inputs
 - YCbCr (480i/576i)
 - YPbPr (480p/576p、 1080i、 720p)
- VGA and DVI-D inputs
 - Horizontal input frequency range: 30 KHz to 70 KHz
 - Vertical input frequency range: 56 Hz to 85 Hz
 - Max. Resolution: 1360 x 768
 - Down Scaling support:
 - 1152 x 870 75 Hz
 - 1280 x 960 60 / 85 Hz
 - 1280 x 1024 60 / 75 / 85 Hz

The LED shall indicate green color and OSD will show “ **Out of Range** “ message within 5 seconds after signal is out of range or down scaling support from selected input.

This LCD TV shall catch signal sources from TV, AV1, AV2, AV3, AV4, AV5, VGA and DVI-D automatically during power up, which it is unnecessary to select inputs from OSD or hot keys.

The priority to catch signal sources shall be 1st) User selected source from hot key or OSD, 2nd) Last source used, 3rd) TV input (last power down channel), 4th) AV1 RGB input, 5th) AV1 S-video input, 6th) AV1 CVBS input, 7th) AV2 YUV/RGB input, 8th) AV2 S-video input, 9th) AV2 CVBS input, 10th) AV3 input (Set to be input from OSD), 11th) AV4 YUV input, 12th) AV4 S-video input, 13th) VGA input, 14th) DVI-D input. The LCD TV shall complete selection and show media on screen within 5 seconds (including Auto Adjust).

The LED shall indicate green color and OSD will show “ **No Signal** “ within 3 seconds while there is missing signal from selected input.

The LED shall indicate green color and OSD will show “ **No VGA Connection** “ within 5 seconds while VGA input is selected but has no connection on VGA port.

The LED shall indicate green color and OSD will show “ **Go Into Power Save** “ within 5 seconds after meet condition of power saving mode.

This LCD TV shall go into power saving state in 5 seconds later of showing “ **Go Into Power Save** “. The LED shall indicate amber color during power saving mode.

This LCD TV shall proceed Auto Adjust while VGA or DVI-D input is selected and 1) Power up, 2) Auto Adjust pressed from OSD, 3) Factory preset acted, 4) New mode is detected. Auto adjust shall be completed within 3 seconds.

The AV1 input supports RGB, S-video and CVBS video inputs. If the RGB, S-video and CVBS video inputs are connected with cables, the priority shall be 1st) RGB input, 2nd) S-video input, 3rd) CVBS video input.

The AV2 input supports YUV/RGB, S-video and CVBS video inputs. If the YUV/RGB, S-video and CVBS video inputs are connected with cables, the priority shall be 1st) YUV/RGB input, 2nd) S-video input, 3rd) CVBS video input.

The AV3 input support YUV.

The AV4 could be set either input or output from OSD. While it is set to be output, AV3 would carry CVBS signal and stereo audio out from TV tuner.

The AV5 input supports S-video